



Optimum
Performance
Innovative
Design



**INFINITY — HIGH PERFORMANCE,
NON-FERROUS METAL PIPING SYSTEM**
Compressed Air / Vacuum / Inert Gases
20mm (3/4") – 63mm (2-1/2") Range



INFINITY



INFINITY

Infinite Advantages, Infinite Possibilities

>>>

Imagine a non-ferrous metal system that offers superior strength with a lightweight design or a system that's easy to install, yet ensures high performance and versatility. At Applied System Technologies, that's what we did to create Infinity – *the first all-metal, quick-connect piping system at an affordable price.*

Heralded for its innovative design, Infinity out-performs heavy, traditional steel pipe, without sacrifice of quality and safety typically associated with plastic systems. Its revolutionary lock and seal design ensures a safe, leak-free system for compressed air, vacuum, and inert gas applications.

Getting Down to Brass Facts

The heart of Infinity is solid brass, nickel-plated fittings that make the system easy to use and install. Infinity's powder-coated aluminum tubing is so light, it can be handled and installed by one person, and when coupled with high-quality brass fittings, the system yields unbeatable performance, reliability and safety.

Making Connections That Last

Unlike plastic piping systems which fail with age and wear, Infinity provides reliability and durability that can only be achieved through an all-metal system.

Installation That's a Snap

Infinity offers the easiest, fastest installation available. There's no welding, gluing or threading, and very little skill is needed for a professional installation. The only tools required are a simple pipe cutter and de-burring pipe reamer.

Infinity's Unique Advantages

- > Fittings can be disconnected and reconnected for reuse
- > Leak-free connectors provide an immediate seal
- > Corrosion-free aluminum, 10 times lighter than traditional piping systems

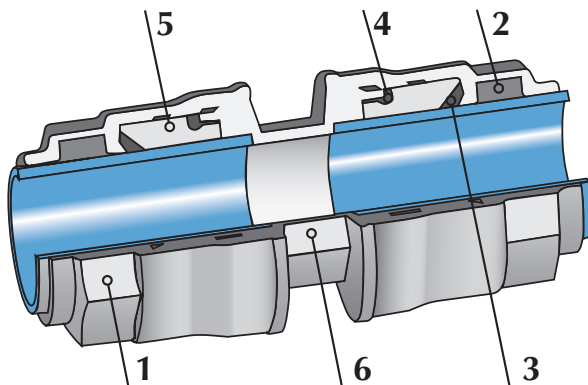
////////////////////////////////////
"A totally non-ferrous, metal design provides an integrity that cannot be matched by any other system..."



www.AppliedSystemTech.com

Infinity Technical Data

>>>



Component Parts and Materials			
1	Nut: Nickel Plated Brass	4	O-Ring Seal: Made of NBR
2	Seal: High Nitrile	5	Safety Ring: Technopolymeric
3	Clamping Washer: Inox AISI 304	6	Body: Nickel-Plated Brass

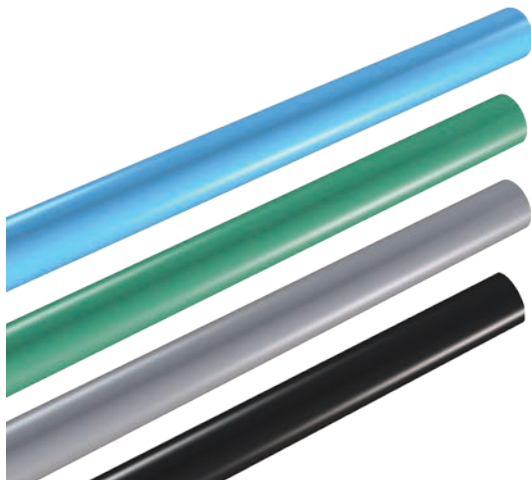
Infinity Technical Data	
Temperature	Minimum: -4°F (-20°C)
	Maximum: 176°F (80°C)
Pressure	Minimum: -0.99 bar (-29.6Hg)
	Maximum: 15 bar (220 psi)
Fire Resistance	System does not stoke or propagate fires
Compatibility	Compressed Air
	Vacuum
	Inert Gases
Male Threads	Taper in conformity with ISO
Female Threads	In conformity with ISO 228

Tubing Technical Data

>>>



	20mm (3/4")	25mm (1")	32mm (1-1/4")	40mm (1-1/2")	50mm (2")	63mm (2-1/2")
Weight: lbs/ft	.159	.202	.262	.331	.592	.623
Pressure: Bar/psi	15/220					
Tubing Length	16 ft					



Extruded Aluminum:	Aluminum 6063/ AA6063-T5
Chemical Composition:	Si: 0.2 – 0.6 - Mg: 0.45 ÷ 0.9 - Fe: 0.35
Designations:	AA 6063 Alloy
Heat Treatment:	Thermal Heat Treat "T5"
Surface Treatment:	Electrostatic Painting
Density:	2.7 g/cc – 0.0975 lb/in ³
Electrical Resistivity at 68°F:	19 ohm-Cir. Mil/Foot
Thermal Conductivity at 77°F:	209 W/m-K -1450 BTU-in/hr
Expansion Coefficient (Avg @ 68° to 212°F per °F):	23.4 µm/m-°C / 13 µin/in-°F
Heat Capacity:	0.9 J/g- °C / 0.215 BTU-in/hr-ft ²
Ultimate Tensile Strength:	21.0 ksi / 21,000 psi
Modulus of Elasticity:	68.9GPa / 10,000 ksi
Tensile Strength:	15.0 ksi min / 15,000 psi
Brinell Hardness:	60 ÷ 70 HB
Melting Point:	615°C to 650°C / 1140-1210°F
Percentage Elongation:	8%



INFINITY

Piping Installation

>>>

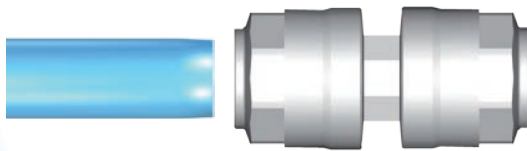
1. Remove Burrs

Remove burrs from the outside diameter of the tube. Clean and remove any shavings.



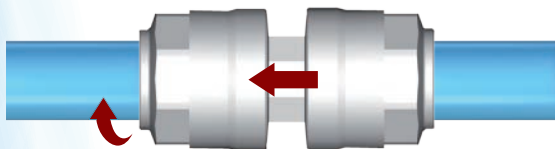
2. Oil the Tube

Add oil on the tube (use only petroleum based oils) before inserting the fitting (oil is not essential, however it helps make insertion of tubing easier during assembly).



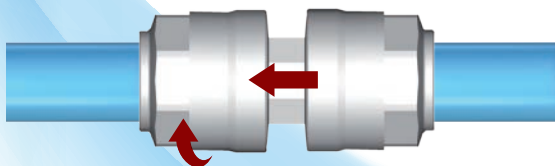
3A. Insert Tube into Fitting – 20 through 40mm

20 through 40mm fittings are supplied fully assembled. Insert the tube into the fitting. To make insertion easier, rotate the tube while making the connection. Be sure tubing is securely inserted in the fitting.



3B. Insert Tube into Fitting – 50 and 63mm

To facilitate installation, 50 and 63mm fittings are supplied with unscrewed nuts. Once the tube is inserted into the fitting, tighten the nuts to the torque specified to the right.



4. Test Procedure

Before pressurizing a piping system, please read and fully understand the requirements of the “INFINITY TEST PROCEDURE.”

Failure to comply with the requirements of the test procedure could lead to serious injury or property damage.

An INFINITY TEST PROCEDURE document is provided with every shipment of parts and can also be downloaded from our website -

www.appliedsystemtech.com

Tube Size	Torque
20mm (3/4")	300 cN.m (26in-lbs)
25mm (1")	300 cN.m (26in-lbs)
32mm (1-1/4")	400 cN.m (35in-lbs)
40mm (1-1/2")	650 cN.m (58in-lbs)

Tube Size	Torque
50mm (2")	75 N.m (55 ft-lbs)
63mm (2-1/2")	75 N.m (55 ft-lbs)



Flow Rates Through Infinity

>>>

Tube Diameter	CFM@125psi	CFM@ 150psi	CFM@ 175psi	CFM@ 220psi
20mm (3/4")	36	39	42	48
25mm (1")	76	81	88	99
32mm (1-1/4")	146	158	171	189
40mm (1-1/2")	266	291	310	348
50mm (2")	476	526	565	627
63mm (2-1/2")	881	965	1047	1153

Flow rates are based on a 1psi pressure drop per 100ft run of pipe and couplings in a "straight line." For loop systems, flow rates can be doubled.

EXAMPLE:

100ft run of 2" pipe flows 476cfm at 125psi with a pressure drop of 1psi. If a system is designed in a loop configuration, a flow of 952cfm with a pressure loss of 1psi per 200ft of piping and couplings can be achieved. The 1psi pressure loss will only occur if the compressor system is flowing the maximum flow capacity of the piping selected.

Flows are measured at standard atmospheric conditions: 1013mbar (14.7psi) at 20°C - (68°F).

It is vital that the size of the piping between the compressors and the connection of the loop system can flow the full capacity of the combined compressor output.

TESTING:

Infinity fittings are tested in accordance with the requirements of ANSI B31.1 (American National Standards Institute) Power Piping Systems.

All Infinity products have been tested and exceed the requirements of ANSI B31.1.

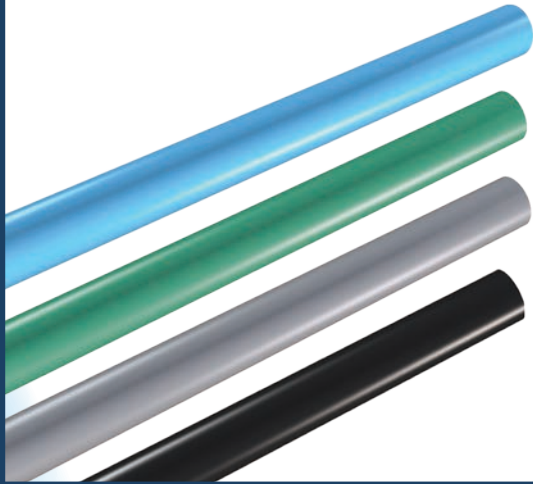
Infinity product provides a 5X safety factor above recommended safe working pressure/temperatures.



INFINITY

Color Coded Tubing for Ease of Identification

>>>



Tube Diameter	Weight lbs/ft	Pressure	Tubing Length
20mm (3/4")	.159	220 psi	16 ft
25mm (1")	.202		
32mm (1-1/4")	.262		
40mm (1-1/2")	.331		
50mm (2")	.592		
63mm (2-1/2")	.623		

9000

Blue

Tube Diameter	Part Number
20mm (3/4")	9000-20-AIR-BLUE
25mm (1")	9000-25-AIR-BLUE
32mm (1-1/4")	9000-32-AIR-BLUE
40mm (1-1/2")	9000-40-AIR-BLUE
50mm (2")	9000-50-AIR-BLUE
63mm (2-1/2")	9000-63-AIR-BLUE

Green

Tube Diameter	Part Number
20mm (3/4")	9000-20-NITRO-GREEN
25mm (1")	9000-25-NITRO-GREEN
32mm (1-1/4")	9000-32-NITRO-GREEN
40mm (1-1/2")	9000-40-NITRO-GREEN
50mm (2")	9000-50-NITRO-GREEN
63mm (2-1/2")	9000-63-NITRO-GREEN

Grey

Tube Diameter	Part Number
20mm (3/4")	9000-20-VAC-GREY
25mm (1")	9000-25-VAC-GREY
32mm (1-1/4")	9000-32-VAC-GREY
40mm (1-1/2")	9000-40-VAC-GREY
50mm (2")	9000-50-VAC-GREY
63mm (2-1/2")	9000-63-VAC-GREY

Black

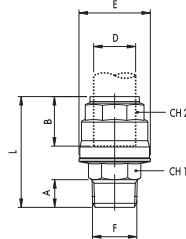
Tube Diameter	Part Number
20mm (3/4")	9000-20-GAS-BLACK
25mm (1")	9000-25-GAS-BLACK
32mm (1-1/4")	9000-32-GAS-BLACK
40mm (1-1/2")	9000-40-GAS-BLACK
50mm (2")	9000-50-GAS-BLACK
63mm (2-1/2")	9000-63-GAS-BLACK

All dimensions measured in mm, unless otherwise noted with inches symbol or text.

Fittings

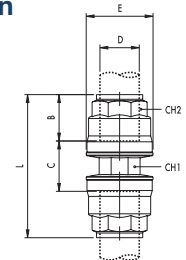
>>>

90011 – Male Thread Connector



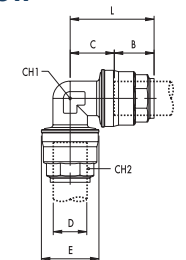
D	F	A	B	E	L	CH1	CH2	Part Number
20	1/2"	14	32.5	34.5	56	22	30	90011-20-08
25	3/4"	16.5	38.5	42.5	66	27	35	90011-25-12
32	1"	19	46	52	76.5	34	45	90011-32-16
40	1-1/2"	21.5	52	63	89.5	45	55	90011-40-24
50	1-1/2"	21.5	63.5	73	105	50	65	90011-50-24
63	2"	24	75.5	92	124	65	70	90011-63-32

90040 – Straight Union



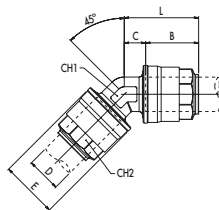
D	B	C	E	L	CH1	CH2	Part Number
20	32.5	12.5	34.5	76.5	21	30	90040-20
25	38.5	13.5	42.5	90.5	26	35	90040-25
32	46	14.5	52	106.5	32	45	90040-32
40	52	21	63	125	41	55	90040-40
50	63.5	21.5	73	148.5	50	65	90040-50
63	75.5	25	92	176.5	65	70	90040-63

90130 – 90° Union Elbow



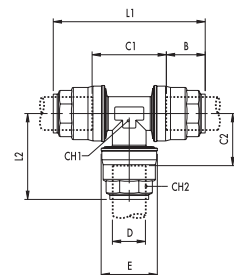
D	B	C	E	L	CH1	CH2	Part Number
20	32.5	18	34.5	51	21	30	90130-20
25	38	23	42.5	61.5	26	35	90130-25
32	46	28	52	74.5	34	45	90130-32
40	52	34	63	86.5	41	55	90130-40
50	63.5	40.5	73	104	50	65	90130-50
63	75.5	52	92	127.5	65	70	90130-63

90140 – 45° Union Elbow



D	B	C	E	L	CH1	CH2	Part Number
20	31.5	12.5	34.5	44	21	30	90140-20
25	38.5	13.5	42.5	52	26	35	90140-25
32	46	15	52	61	34	45	90140-32
40	52	18	63	70	41	55	90140-40
50	63.5	20	73	83.5	50	65	90140-50
63	59	24	92	83	65	70	90140-63

90230 – Equal Tee



D	E	B	C1	C2	L1	L2	CH1	CH2	Part Number
20	34.5	32.5	32.5	21.5	98	54.5	21	30	90230-20
25	42.5	38	37.5	26	113.5	65	26	35	90230-25
32	52	46	46.5	31.5	138.5	77	34	45	90230-32
40	63	52	55.5	38	159.5	90	41	55	90230-40
50	73	63.5	69	44.5	196	108	50	65	90230-50
63	92	75.5	87	55.5	238.5	131	65	70	90230-63



INFINITY

Fittings

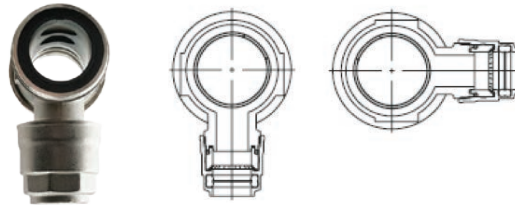
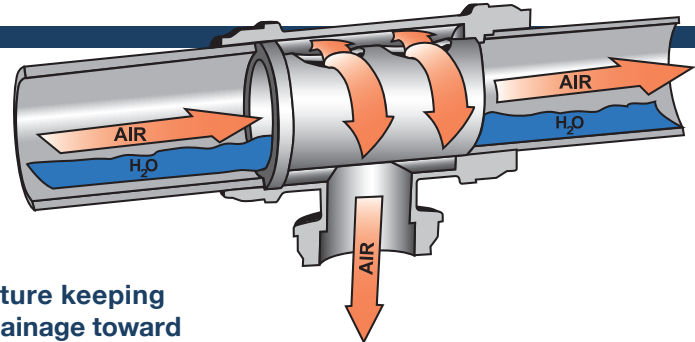


Outlet / Reducing Tee

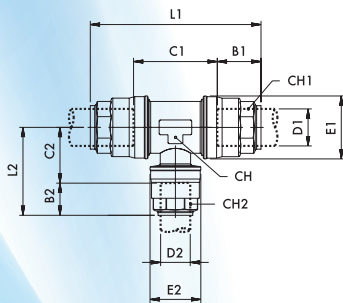
The internal design includes a water-trapping feature keeping condensate away from the point-of-use allowing drainage toward the most convenient low point of the system.

The Outlet / Reducing Tee Fitting is an alternative to the traditional *swan neck* and *goose neck (up and over)* take-off points, and has proven itself as a fast and low-cost solution.

It prevents water from dropping out of the main piping loop into the drop line. All systems should be installed with a slight gradient to allow moisture to collect at one point in the system. This point should be fitted with a drop line and terminated with a condensate drain.

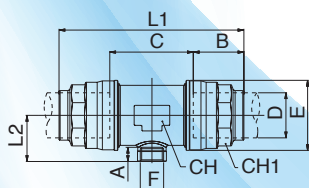


The internal geometric shape allows a fitting to be used vertically, as well as horizontally. During horizontal installation, please keep the two internal holes turned toward the upper side.



90235 – Outlet Reducing Tee Fitting (with Water Trap Insert)

D1	D2	B1	B2	C1	C2	E1	E2	L1	L2	CH	CH1	CH2	Part Number
20	20	32.5	32.5	32.5	21.5	34.5	34.2	98	54.5	21		30	90235-20-20
25	20	38	32.5	45.5	26.5	42.5	34.5	121.5	59	35		30	90235-25-20
32	20	46	32.5	54.5	30.5	52	34.5	146.5	63	45		30	90235-32-20
	25		38		31.5		42.5		70		35	90235-32-25	
40	20	52.5	32.5	60	33.5	63	34.5	165.5	66	55		30	90235-40-20
	25		38		34.5		42.5		87		35	90235-40-25	
50	20	63.5	32.5	73.5	40.5	73	34.5	201	73	65		30	90235-50-20
	25		38.5		41		42.5		80		35	90235-50-25	
	32		46		41		52		87.5		45	90235-50-32	
63	20	77	32.5	86	48.5	92	34.5	237.5	81	80	70	30	90235-63-20
	25		38.5		49		42.5		88			35	90235-63-25
	32		46		49		52		95.5			45	90235-63-32

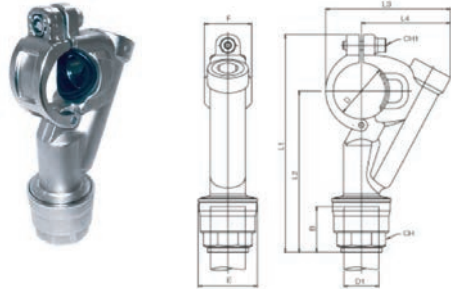


90235-20-08 – 1/2" NPTF Threaded Tee

D	G	A	B	C	E	L1	L2	CH	CH1	Part Number
20	1/2"	13.5	31.5	48	34.5	109	28	28	30	90235-20-08

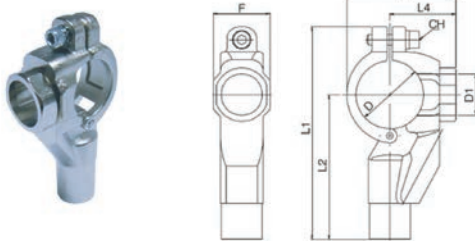
All dimensions measured in mm, unless otherwise noted with inches symbol or text.

90240 – Outlet, Saddle Clamp Reducer



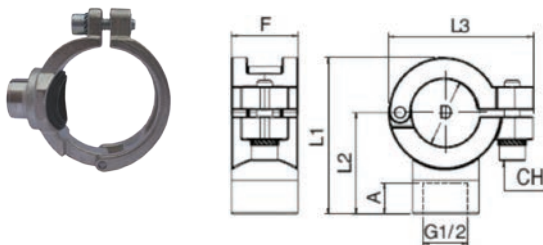
D1	D2	B	E	F	L1	L2	L3	CH	CH1	Part Number
32	20	31.5	34.5	34	136.5	100.5	78	30	5	90240-32-20
	25	38.5	42.4		144.5	108.5		35		90240-32-25
40	20	31.5	34.5	42.5	148.5	106	89.5	30	6	90240-40-20
	25	38.5	42.5		156.5	116		35		90240-40-25
50	20	31.5	34.5	42.5	167.5	118.5	105.5	30	6	90240-50-20
	25	38.5	42.5		175.5	126.5		35		90240-50-25
63	20	31.5	38.5	42.5	185	130	119	30	6	90240-63-20
	25	38.5	42.5		193	138		35		90240-63-25

90242 – Drilling Jig Saddle Clamp



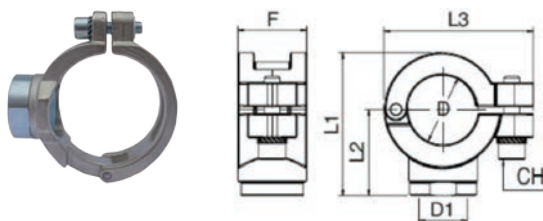
D	D1	F	L1	L2	L3	CH	CH1	Part Number
32	24.5	34	115	79	56	35	5	90242-32
40			127	86.5	65	39.5		90242-40
50	32	42.5	146	97	79	47.5	6	90242-50
63			163.5	108.5	93	55		90242-63

90248 – Compact Saddle Clamp NPT



D	G	A	F	L1	L2	L3	CH	Part Number
25	1/2"	13	25.5	50	39	55.5	5	90248-25-08
32			63.5	42.5	61.5	90248-32-08		
40			71	46	70	90248-40-08		
50			83.5	52	84.5	90248-50-08		
63	95.5	57.5	97	90248-63-08				

90249 – Drilling Jig, Compact Saddle Clamp



D	D1	F	L1	L2	L3	CH	Part Number
25	17.8	25.5	53	32	55.5	5	90249-25
32	24.5	34	56	35	61.5		90249-32
40			65	40	70		90249-40
50	32	42.5	79	47.5	84.5	6	90249-50
63			93	55	97		90249-63

90241 – Cutting Tool (for use with Outlet Saddle Clamp Reducer and Compact Saddle Clamp)

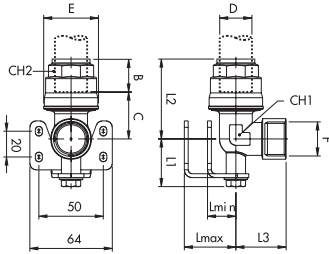


Tube mm	Use with	Part Number
25	90249	90241-25
32-40	90249 / 90242	90241-32-40
50-63	90249 / 90242	90241-50-63



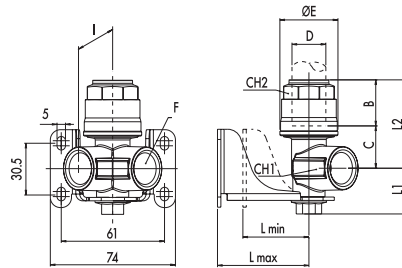
INFINITY

90601 – Outlet Elbow w/ Mtg Bracket



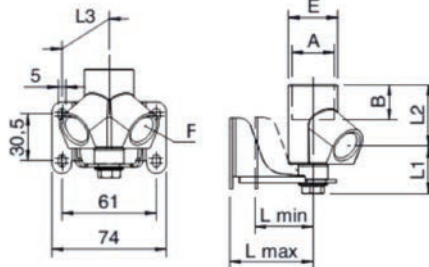
D	F	B	C	E	L1	L2	L3	Lmax	Lmin	Part Number
20		32.5	18.5	34.5	35	51	35		21	90601-20-08
25	1/2"	38	23	42.5	7	62	39	40	26	90601-25-08
32		46	28	52	41	74.5	48.5		34	90601-32-08

90602 – Double Outlet Elbow w/ Mtg Bracket



D	F	B	C	E	I	CH1	CH2	L1	L2	L3	Lmin	Lmax	Part Number
20	1/2"	31.5	20	34.5	28.5	26	30	27	51.5	35	22	54	90602-20-08
25		38.5	21	42.5			35		59	39			90602-25-08

90633 – Double Outlet Elbow NPT x NPT 45° w/ Mtg Bracket

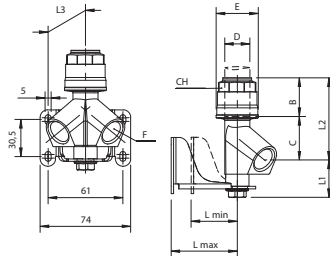


A	F	B	E	L1	L2	L3	Lmin	Lmax	Part Number
1/2"		13	31	40.5	37.5	22	54		90633-08-08
3/4"	1/2"	16.5		39					90633-12-08



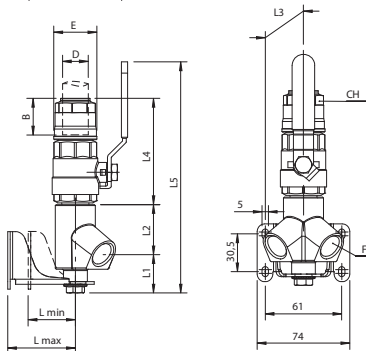
All dimensions measured in mm, unless otherwise noted with inches symbol or text.

90661 – Double Outlet Elbow tube x NPT 45° w/ Mtg Bracket



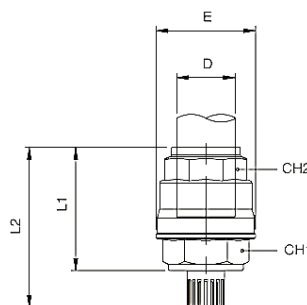
D	F	B	C	E	L1	L2	L3	Lmin	Lmax	CH	Part Number
20	1/2"	31.5	34.5	34.5	31	66	37.5	22	54	30	90661-20-08
25	1/2"	38.5	33	42.5	31	71.5	37.5	22	54	35	90661-25-08

90665 – Double Outlet Elbow Tube x NPT 45° w/ Valve and Mtg Bracket



D	F	B	E	L1	L2	L3	L4	L5	Lmin	Lmax	CH	Part Number
20	1/2"	31.5	34.5	31	40.5	37.5	84.5	184	22	54	30	90665-20-08
25	1/2"	38.5	42.5	31	39	37.5	101.5	209	22	54	35	90665-25-08

90260 – Drain Assembly



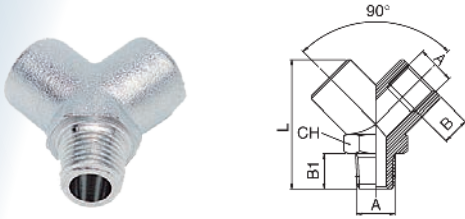
D	B	E	L1	L2	CH1	CH2	Part Number
25	17.8	25.5	53	32	55.5	5	90260-25
32	24.5	34	56	35	61.5	5	90260-32
40	24.5	34	65	40	70	5	90260-40
50	32	42.5	79	47.5	84.5	6	90260-50
63	32	42.5	93	55	97	6	90260-63





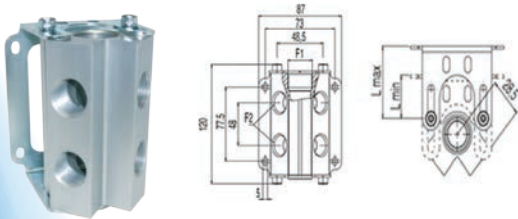
INFINITY

82600 – Two-way Outlet Y Adapter NPT x NPT



A	B	B1	L	CH	Part Number
1/2" NPT	14	17	58	26	82600-08-08

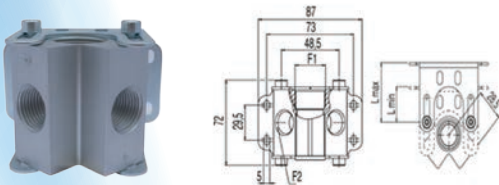
90601, 90602 – UltraFlex 4-Hole Outlet Manifold



F1	F2	Lmin	Lmax	Part Number
1/2"	1/2"	60	35	90601-MFD
3/4"	1/2"	60	35	90602-MFD

Includes bracket and one plug

90601-2, 90602-2 – UltraFlex 2-Hole Outlet Manifold



F1	F2	Lmin	Lmax	Part Number
1/2"	1/2"	60	35	90601-2-MFD
3/4"	1/2"	60	35	90602-2-MFD

Includes bracket and one plug

90601-G – Manifold Gauge Kit



Part Number	
300 psi S/S Liquid Filled	90601-G

*Includes gauge and 1/2" NPT swivel.
Manifold not included.*

90260 – Pet Cock Drain



Drain Valve	Part Number
1/4"	90260-PTC-04
1/2"	90260-PTC-08

90610-08-NPT – Manifold Plug



Part Number	
1/2" NPT with Seal	90610-08-NPT



All dimensions measured in mm, unless otherwise noted with inches symbol or text.

90620 – Reducer – Fitting Body to Tube



Replaces nut on same sized fitting to make reductions

Body mm	Outlet mm	Part Number
25	20	90620-25-20
32	20	90620-32-20
	25	90620-32-25
40	20	90620-40-20
	25	90620-40-25
	32	90620-40-32
50	25	90620-50-25
	32	90620-50-32
	40	90620-50-40
63	40	90620-63-40
	50	90620-63-50

90626 – Stem Adapter MALE NPT



Push into a fitting to create a threaded outlet



Body x Inches	Part Number
20	1/2" 90626-20-08M
	3/4" 90626-20-12M
25	1/2" 90626-25-08M
	3/4" 90626-25-12M
	1" 90626-25-16M
32	1" 90626-32-16M
	1-1/2" 90626-32-24M
40	1-1/2" 90626-40-24M
50	1-1/2" 90626-50-24M
	2" 90626-50-32M
63	2" 90626-63-32M
	2-1/2" 90626-63-40M

82280N-08-04 – Adapter Bushing NPT x NPT



Part Number	
1/2" M NPT x 1/4" F NPT	82280N-08-04
Pressure gauge not included.	

For use with 1/4" NPT pressure gauge.

90626 – Stem Adapter FEMALE NPT



Body x Inches	Part Number
20 1/2"	90626-20-08

Push into a fitting to create a threaded outlet

90600 – Pressure Gauge



Part Number	
1/4" NPTM	90600-PG-04
1/2" NPTM	90600-PG-08

90721 – BALL VALVES, TUBE X INCHES



Tube mm x NPT	Part Number
20 x 1/2" M NPT	90721-20-08
25 x 3/4" M NPT	90721-25-12

86300, 86310 – Ball Valves, NPT



NPT	Part Number
1/2" F x 1/2" F NPT	86300-08-08
3/8" M x 3/8" F NPT	86310-06-06
1/2" M x 1/2" F NPT	86310-08-08
3/4" M x 3/4" F NPT	86310-12-12

90700 – Ball Valves, Tube x Tube



Tube mm	Part Number
20	90700-20
25	90700-25
32	90700-32
40	90700-40
50	90700-50
63	90700-63



INFINITY



90810 – Bracket, Strut, 10 Pack



Tube mm	Part Number
20	90810-20-PK10
25	90810-25-PK10
32	90810-32-PK10
40	90810-40-PK10
50	90810-50-PK10
63	90810-63-PK10

90810 – Spacer Kit, 1"x3"x1/2" thick, 10 Pack (used with Strut Bracket)



Part Number
90810-SP-PK10
<i>Includes 1" x 1/4-20 stud</i>

90815 – Wall Bracket with Spacer



Tube mm	Part Number
20	90815-20-WSP
25	90815-25-WSP
32	90815-32-WSP
40	90815-40-WSP
50	90815-50-WSP
63	90815-63-WSP

90860 – Beam Clamp (used with wire hanger or threaded rod)



Part Number
90860
<i>Used with wire hanger 90832-15 or 3/8" threaded rod</i>

All dimensions measured in mm, unless otherwise noted with inches symbol or text.

90831 – Hanging System, 10 Pack
(for use with Strut Bracket)
15' length x 1/4" thread



Part Number
90831-15

90832 – Hanging System, 10 Pack
(for use with Hanging Bracket)
15' length x 3/8" thread



Part Number
90832-15

90820 – Bracket, Hanging (3/8" Insert)

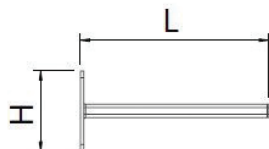


Tube mm	Part Number
20, 25	90820-20-25
32	90820-32
40	90820-40
50	90820-50
63	90820-63

90830 – Cantilever Bracket



Part Number
90830
4-3/4" H X 11" L





INFINITY

80191 – Quick Coupler Universal Socket:



	Thread	Part Number
Male NPT	1/4"	80191-04
	3/8"	80191-06
	1/2"	80191-08

80221 – Coupler Plug Industrial:



	Thread	Part Number
Male NPT	1/4"	80221-04
	3/8"	80221-06
	1/2"	80221-08

80192 – Quick Coupler Universal Socket:



	Thread	Part Number
Female NPT	1/4"	80192-04
	3/8"	80192-06
	1/2"	80192-08

80222 – Coupler Plug Industrial:



	Thread	Part Number
Female NPT	1/4"	80222-04
	3/8"	80222-06
	1/2"	80222-08

80193 – Quick Coupler Universal Socket:



	Barb	Part Number
Hose Barb	1/4"	80193-04
	3/8"	80193-06
	1/2"	80193-08

80223 – Coupler Plug Industrial:



	Barb	Part Number
Hose Barb	1/4"	80223-04
	3/8"	80223-06
	1/2"	80223-08

80621-08 – Safety Coupler Universal Socket:



	Thread	Part Number
Male NPT	1/2"	80621-08
<i>Exhausts pressure before releasing plug</i>		

80622-08 – Safety Coupler Universal Socket:



	Thread	Part Number
Female NPT	1/2"	80622-08
<i>Exhausts pressure before releasing plug</i>		



All dimensions measured in mm, unless otherwise noted with inches symbol or text.

90900 – Electronic Timer Drain (IDV Unit)



Drain Valve	Part Number
1/4"	90900-04
1/2"	90900-08

Timer based drainage of unwanted condensate from your compressed air system. Most economical product available for prevention of liquid contamination. Strainer supplied as standard.

WR – Water Remover



Thread	Flow Rate	Part Number
1/2"	53	WR-50
3/4"	78	WR-75
1"	131	WR-100
1-1/2"	212	WR-150
2"	424	WR-200

Point of use water removal through coalescing element. Removes 99% of water in droplet form. Optional brackets and accessories available.

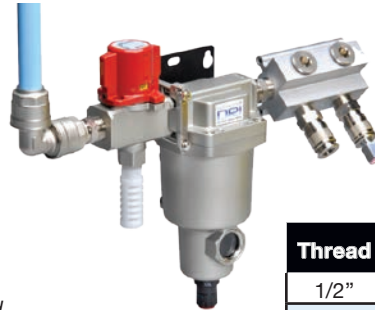
ZLD – Zero Loss Electric Drain Valve



Flow Rate	Part Number
200 cfm	ZLD-200
500 cfm	ZLD-500
2000 cfm	ZLD-2000
5000 cfm	ZLD-5000
18000 cfm*	ZLD-18000
53000 cfm*	ZLD-53000
*Non stock, special order	

Sensor based drainage of unwanted condensate from your compressed air system. Designed to save energy and reduce loss of system pressure. For prevention of liquid contamination. Strainer supplied.

DRI – DRI Assembly



Thread	Flow cfm	Part Number
1/2"	53	DRI-50
3/4"	78	DRI-75
1"	131	DRI-100

IV – Lockable Exhausting Valve

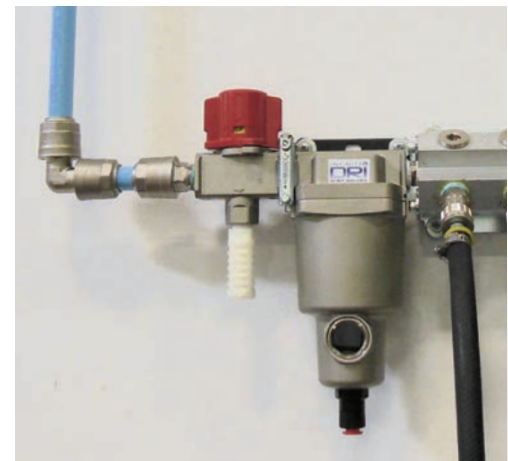


	Part Number
1/2"	IV-50
3/4"	IV-75
1"	IV-100

90880 – Deburring Tool (20-40 mm)



90870 – Tube Cutter (20-63 mm)





INFINITY

Optiflo Flow Controllers – Less Waste, Maximum Efficiency

>>>



WHAT IS OPTIFLO? Optiflo flow controllers utilize advanced technology designed to optimize your compressed air usage. Every air system, no matter how good, has leaks. When reducing an air system's working pressure, the volume of air lost through leakage is dramatically reduced. The reduction in lost air volume directly relates to power savings on the running of your air compressor and increases your bottom line.

Even tools benefit. Air tools are designed to work at specific pressures, so ensuring the correct pressure to your tools will optimize their performance, increase life and reduce maintenance, all in addition to preventing wasted energy.

Installing an Optiflo flow controller in your system will not only provide considerable power savings but also increase the life expectancy of your compressor and radically reduce maintenance costs. Minimizing lost air volume will reduce the amount of time your compressor has to run. The less it runs the longer its life expectancy and the less maintenance it will require.

- Optiflo Flow Controllers
- > Optimized flow control and improved productivity
- > Minimizes energy and maintenance costs
- > Enhances compressor life

Optiflo 10/7 Equation

>>>

Every 10 psi in plant pressure reduction will gain you 7% energy savings. Installing an Optiflo flow controller in conjunction with suitable storage, allows compressed air to be stored at a high pressure while delivering consistent, low-pressure air to the balance of the system.

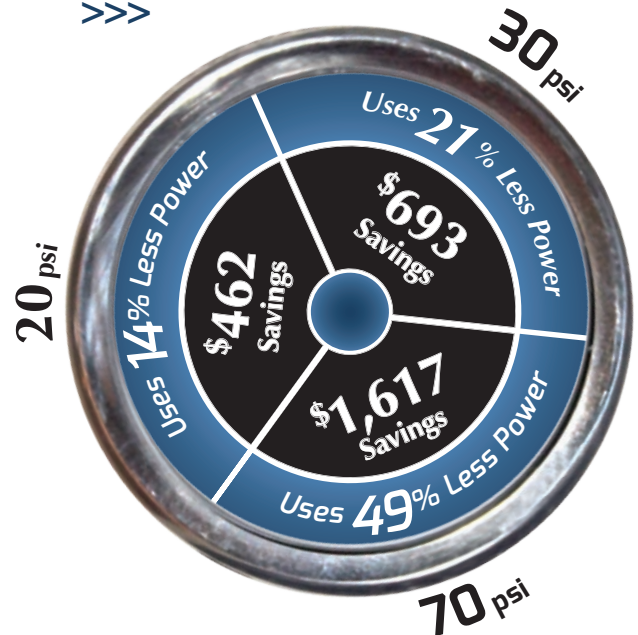
Typical Compressor Usage

>>>

15 HP (11kw) compressor running 3000 hours per year at 10¢ per KW = \$3,300 annual power cost.

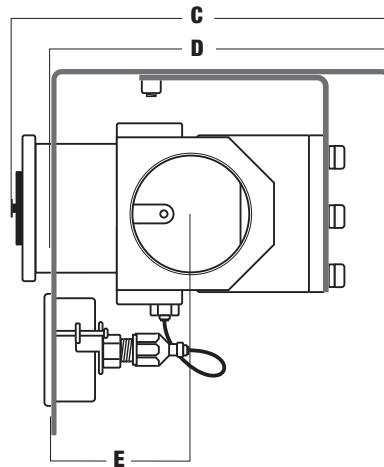
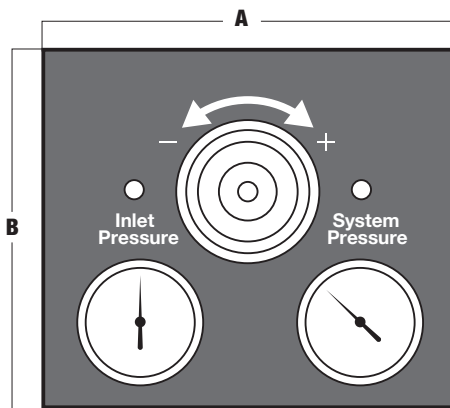
Savings with Optiflo

>>>



Optiflo Flow Controllers – Less Waste, Maximum Efficiency

>>>



Inlet Size	Max Flow	A	B	C	D	E	Weight
1/2"	75 scfm	8.11"	7.28"	8.57"	7.36"	1.89"	8.4 lbs
1"	200 scfm					2.21"	10.45 lbs
2"	1000 scfm					2.78"	14.65 lbs

Inlet Size	Frame Color	Left to Right Flow Part Number	Right to Left Flow Part Number	Max Flow	Max Inlet Pressure	Control Range	Temp Range	Sensitivity	Repeatability
1/2"	Green	OP-75-GRN-LR	OP-75-GRN-RL	75 scfm	300 psig	0-160 psig	-4° F to +176° F	0.2% of full span	± 0.5% of full span
	Blue	OP-75-BLU-LR	OP-75-BLU-RL						
	Black	OP-75-BLK-LR	OP-75-BLK-RL						
1"	Green	OP-200-GRN-LR	OP-200-GRN-RL	200 scfm	300 psig	0-160 psig	-4° F to +176° F	0.2% of full span	± 0.5% of full span
	Blue	OP-200-BLU-LR	OP-200-BLU-RL						
	Black	OP-200-BLK-LR	OP-200-BLK-RL						
2"	Green	OP-1000-GRN-LR	OP-1000-GRN-RL	1000 scfm	300 psig	0-160 psig	-4° F to +176° F	0.2% of full span	± 0.5% of full span
	Blue	OP-1000-BLU-LR	OP-1000-BLU-RL						
	Black	OP-1000-BLK-LR	OP-1000-BLK-RL						



10 Year Guarantee

Applied System Technologies warrants its pipe and fitting components to be free of leaks due to manufacturing defects for a period of 10 years from date of sale. This Express warranty is in lieu of and excludes all other warranties, guarantees or representations, express or implied, by operation of law or otherwise, including any warranty that the materials are suitable for the buyer's requirements or special use. System must be installed by an AST approved technician.

Applied System Technologies agrees to replace any component proven to have a manufacturing defect.

Applied System Technologies shall not be liable for any consequential damages nor for loss, damage or expenses directly or indirectly arising from the use of the product



Applied System Technologies
9800 West Kinsey Avenue, Suite 135
Huntersville, NC 28078

P): 704-947-6966
E): info@appliedsystemtech.com

Nothing contained on these pages is intended to extend any warranty or representation, expressed or implied, regarding the product described herein. Any such warranties or other terms and conditions of sale of products shall be in accordance with Applied System Technologies standard terms and conditions for such products, which are available upon request. Product improvement is a continuing goal at Applied System Technologies. Designs and specifications are subject to change without notice or obligation.